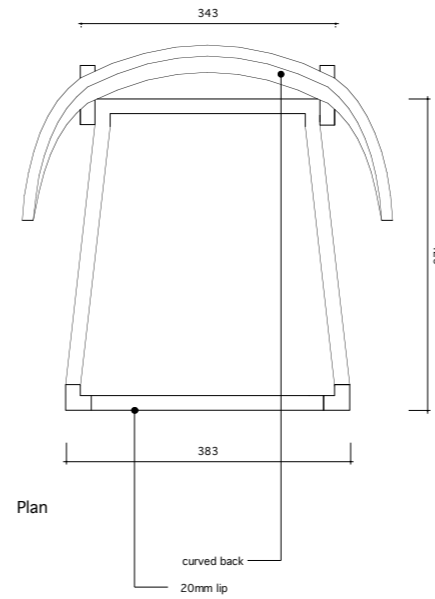


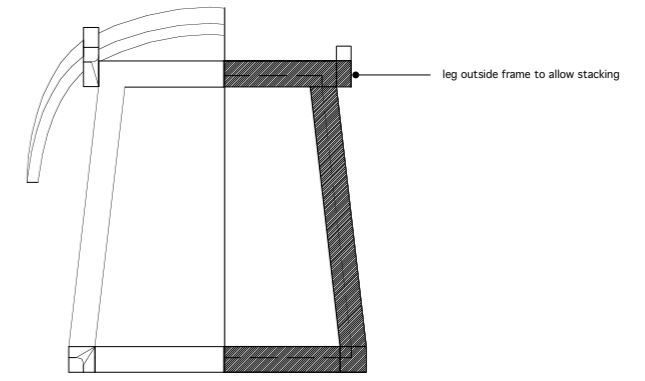
C2 Chair stackable

Section

Back Elevation

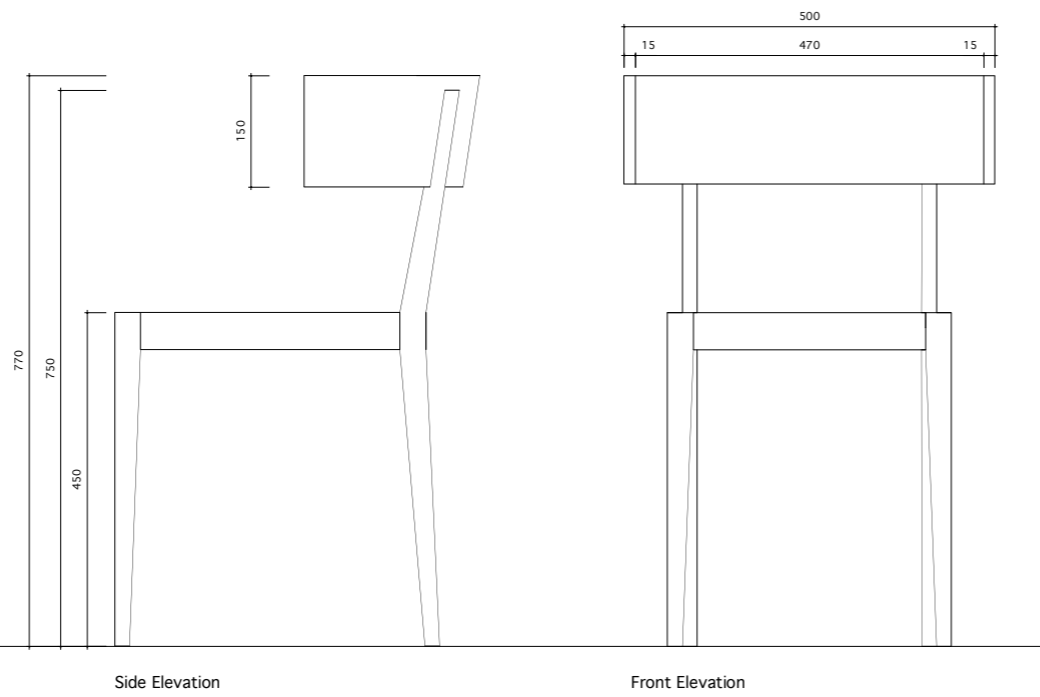
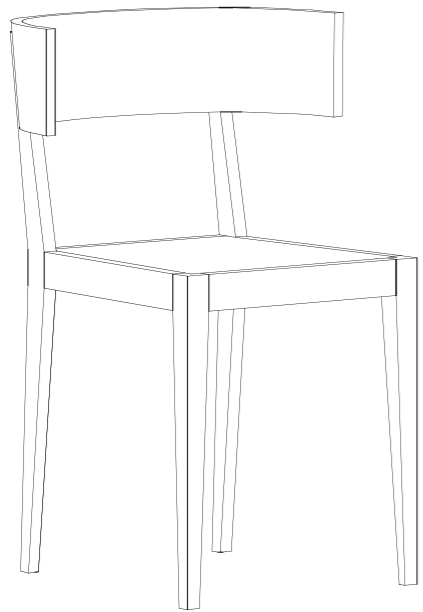


Plan



Bottom Elevation

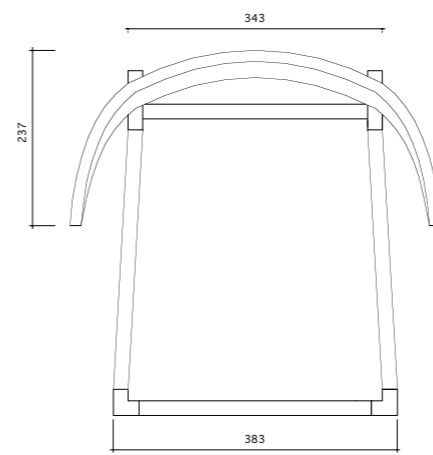
Section



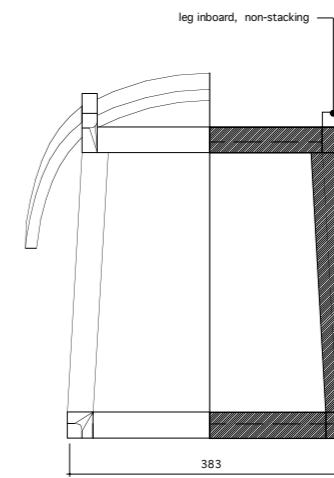
C3 Chair, not stacking

Side Elevation

Front Elevation



Plan



Bottom Elevation

Section

Notes

C2 stacking Chair
C3 non-stacking chair

chair is solid oak
with the possibility of leather lining to
the seat
back is curved,
dining chairs can be partly stackable

Rev.* (03.04.07) Issued for Information.
Rev.A (13.04.07) Issued for Tender.

Tender Issue

The Hall Furniture
Chair, Type C2 + C3

Downing College
Caruso St John Architects
1 Coate Street, London, E2 9AG
tel 020 7631 3161 fax 020 7729 6188
Scale Date Drwg
1: 5 at A1 13.04.07 229/A72/10A
1: 10 at A3